

## GV-VD2430 2MP H.264 WDR Pro IR Vandal Proof IP Dome



- 1/3.2" progressive scan CMOS
- Dual streams from H.264 and MJPEG
- Up to 30 fps at 1920 x 1080
- Vandal resistance (IK10+)
- Ingress protection (IP67)
- Varifocal megapixel lens
- 3-axis mechanism (pan / tilt / roll)
- Removable IR-cut filter for Day/Night function
- High power IR LEDs
- Intelligent IR
- IR distance up to 20 m (65.6 ft.)
- External microphone
- 2-way audio
- One sensor input and alarm output
- TV-out support
- Built-in micro SD card slot (SD/SDHC) for local storage
- DC12V / AC24V / PoE
- Wide Dynamic Range Pro (WDR Pro)
- Defog
- Motion detection
- Tampering alarm
- Privacy mask
- IP address filtering
- Supports iPhone, iPad, Android & 3GPP
- 31 languages on Web interface
- ONVIF (Profile S) conformant

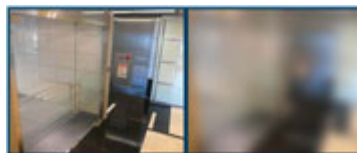
\*No Memory card slot & local storage function for Argentina.

### Active Tampering Alarm

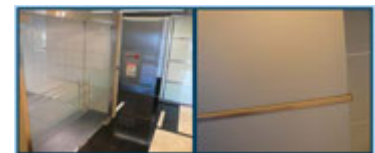
Tampered



Focus Change



Camera Shift



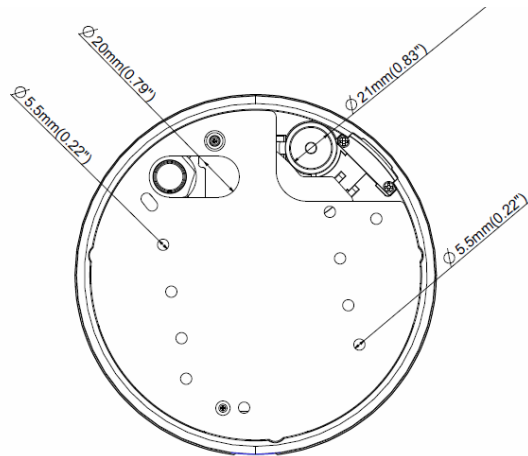
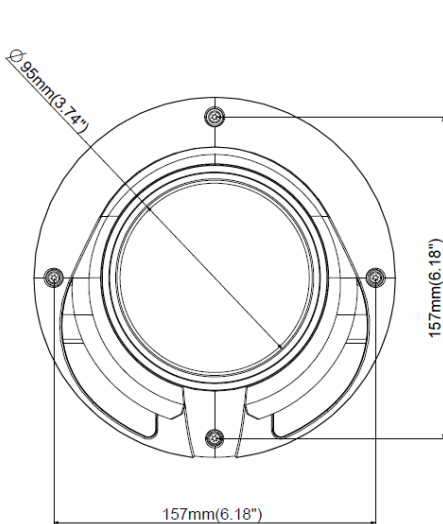
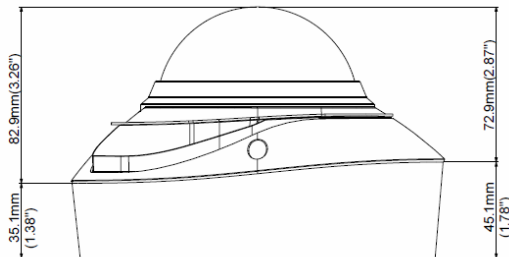
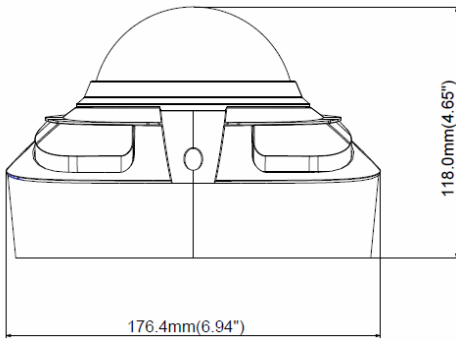
### Introduction

GV-VD2430 is an outdoor camera designed with IK10+ vandal resistance and IP67 ingress protection. The camera is equipped with a WDR Pro with which the camera can process scenes containing contrasting intensity of lights and produce clear images. The camera's night vision is enhanced with its high power LEDs with up to 20 m (65.6 ft.) effective distance.

Overview



Dimensions



## Specifications

Camera		
Image Sensor		1/3.2" progressive scan CMOS
Picture Elements		1920 (H) x 1080 (V)
Minimum Illumination	Color	0.08 Lux
	B/W	0.05 Lux
	IR ON	0 Lux
Shutter Speed		Automatic, Manual (1/5 ~ 1/8000 sec.)
White Balance		Automatic, Manual (2800K ~ 8500K)
Gain Control		Automatic
S/N Ratio		47 dB
WDR Pro		Yes (with WDR sensor)
Lens		
Megapixel		Yes
Day / Night		Yes (with removable IR-cut filter)
Lens Type		Varifocal
Focal Length		3 ~ 9 mm
Maximum Aperture		F/1.2
Mount		Ø 14 mm
Image Format		1/2.7"
Operation	Focus	Manual (w / lock)
	Zoom	Manual (w / lock)
	Iris	DC drive
Max. Torque (Focus/ Zoom Screws)		0.049 N.m
High Power IR LED Quantity		6 IR LEDs
Max. IR Distance		20 m (65.6 ft.)
Operation		
Video Compression		H.264, MJPEG
Video Stream		Dual streams from H.264 and MJPEG
Frame Rate		30 fps at 1920 x 1080 * The frame rate and the performance may vary depending on the number of connections and data bitrates (different scenes).
Image Setting		Brightness, Contrast, Sharpness, Gamma, White Balance, Flicker-less, Image Orientation, Backlight Compensation, D/N Sensitivity, Shutter Speed, WDR, Defog
Audio Compression		G.711
Two-way Audio		Yes
Sensor Input		1 Input (Dry Contact)
Alarm Output		1 Output (200mA 5V DC)
Video Resolution		
Main Stream	4:3	1600 x 1200, 1280 x 960, 640 x 480, 320 x 240
	16:9	1920 x 1080, 1280 x 720, 640 x 360, 448 x 252
	5:4	1280 x 1024, 640 x 512, 320 x 256
Sub Stream	4:3	640 x 480, 320 x 240
	16:9	640 x 360, 448 x 252
	5:4	640 x 512, 320 x 256
Network		
Interface		10/100M Ethernet
Ethernet Protocol		DHCP, DynDNS, FTP, HTTP, HTTPS, NTP, ONVIF (Profile S), PSIA, QoS (DSCP), RTSP, SNMP, SMTP, TCP, UDP, UPnP, 3GPP/ISMA
Mechanical		
Temperature Detector		Yes
Camera Angle Adjustment	Pan	-90° ~ 90°
	Tilt	0° ~ 85°
	Rotate	0° ~ 350°
Connectors	Power	2-pin terminal block, PoE
	Ethernet	Ethernet (10/100 Base-T), RJ-45 cable

Connectors	Audio	1 In (3.5mm phone jack for microphone) 1 Out (3.5mm phone jack for speaker)
	Digital I/O	3-pin terminal block, pitch 2.5 mm (0.1")
	Auto Iris	DC drive
	Local Storage	Micro SD card slot (SD/SDHC, SD version 2.0 only, Class 10) * <b>SDXC</b> and <b>UHS-I</b> card types are not supported.
	TV-Out	BNC connector (640 x 480 resolution)
LED Indicator	2 LEDs: Power, Status	
<b>General</b>		
Environment Temperature	Start-up	-20 °C ~ 50 °C (-4 °F ~ 122 °F)
	Operation	-30°C ~ 50°C (-22°F ~ 122°F)
Humidity	10% to 90% (no condensation)	
Power Source	12V DC / 24V AC / PoE+ 802.3at	
Max. Power Consumption	15.4 W	
Dimensions	Camera Body	ø 176.5 x 118 mm (6.9" x 4.6")
Weight	1.76 kg (3.88 lb)	
Ingress Protection	IP67	
Vandal Resistance	IK10+	
Regulatory	CE, FCC, RCM, RoHS compliant	
<b>Power over Ethernet</b>		
PoE Standard	IEEE 802.3at Power over Ethernet / PD	
PoE Power Supply Type	End-Span	
PoE Power Output	Per Port 48V DC, 600mA. Max. 30 watts	
<b>Web Interface</b>		
Installation Management	Web-based configuration	
Maintenance	Firmware upgrade through Web Browser or Utility	
Access from Web Browser	Camera Live View, Video Recording, Change Video Quality, Bandwidth Control, Image Snapshot, Digital I/O Control, Audio, Picture in Picture, Picture and Picture, Privacy Mask, Visual Automation, Tampering Alarm, Text Overlay, Digital PTZ	
Language	Arabic / Bulgarian / Czech / Danish / Dutch / English / Finnish / French / German / Greek / Hebrew / Hungarian / Indonesian / Italian / Japanese / Lithuanian / Norwegian / Persian / Polish / Portuguese / Romanian / Russian / Serbian / Simplified Chinese / Slovakian / Slovenian / Spanish / Swedish / Thai / Traditional Chinese / Turkish	
<b>Applications</b>		
Network Storage	GV-NVR, GV-System, GV-Backup Center, GV-Recording Server	
Smart Device Access	GV-Eye for Android smartphone, tablet, iPhone, and iPod Touch GV-Eye HD for iPad	
Live Viewing	IE, mobile phone	
CMS Server support	GV-Control Center, GV-Center V2, GV-VSM	

**Note:**








1. Do not use clothes or any ordinary material to clean the camera cover since they may result in scratches.
2. Specifications are subject to change without notice.

**Packing List**

- |                         |                                      |
|-------------------------|--------------------------------------|
| 1. Vandal Proof IP Dome | 11. Long Screw x 4                   |
| 2. Torx Wrench          | 12. Flat Screw                       |
| 3. 3-Pin Terminal Block | 13. Short Screw x 2                  |
| 4. Audio Wires          | 14. Silica Gel Bag                   |
| 5. Power Adapter        | 15. Sticker (for Silica Gel Bag)     |
| 6. TV Out Wire          | 16. Ruler                            |
| 7. RJ-45 Connector x 2  | 17. GV-IPCAM H.264 Software CD       |
| 8. Back Plate           | 18. GV-IPCAM H.264 Quick Start Guide |
| 9. Installation Sticker | 19. GV-NVR Software DVD              |
| 10. Screw Anchor x 4    | 20. GV-NVR Quick Start Guide         |

## Accessories

Model No.	Name		Details
GV-Mount100	Straight Tube and Junction Box Kit		Dimensions: 200 x 170 x 257.5 mm (7.9" x 6.7" x 10.1") Weight: 3.17 Kg (6.99 lb)
GV-Mount101	Straight Tube Kit		Dimensions: 219 x 125 x 332 mm (8.6" x 4.9" x 13.1") Weight: 1.8 Kg (3.97 lb)
GV-Mount200	Wall Pendant Tube		Dimensions: 225 x 140 x 250 mm (8.9" x 5.5" x 9.8") Weight: 900 g (1.98 lb)
GV-Mount203	Wall Pendant Tube and Junction Box Kit		Dimensions: 315 x 195.5 x 225 mm (12.4" x 7.7" x 8.9") Weight: 2.95 Kg (6.5 lb)
GV-Mount300	Convex Corner Adapter Kit		Dimensions: 238.6 x 409.5 mm (9.4" x 16.1") Weight: 4.27 Kg (9.41 lb)
GV-Mount310	Concave Corner Adapter Kit		Dimensions: 238.6 x 409.5 mm (9.4" x 16.1") Weight: 4.27 Kg (9.41 lb)
GV-Mount400	Pole Mount Bracket Kit (Ø 4" ~ 6")		Dimensions Bracket: 241 x 161 mm (9.5" x 6.3") Weight: 1.70 Kg ( 3.75 lb) Steel Strap Diameter: Ø 4" ~ 6"

Model No.	Name		Details
GV-Mount410	Pole Mount Bracket Kit ( $\varnothing$ 6" ~ 7.5")		Dimensions Bracket: 241 x 161 mm (9.5" x 6.3") Weight: 1.70 Kg (3.75 lb) Steel Strap Diameter: $\varnothing$ 6" ~ 7.5"
GV-Mount702	Extension Tube		Four options are available. Dimensions: $\varnothing$ 5.4 x 10 or 20 or 30 or 50 cm ( $\varnothing$ 2.1" x 3.9" or 7.9" or 11.8" or 19.7") Weight: 180 g or 390 g or 550 g or 800 g (0.4 lb or 0.86 lb or 1.21lb or 1.76 lb)
GV-Mount900	Wall Mount Bracket		Dimensions: 154 x 108 x 50 mm (6.1" x 4.3" x 2") Weight: 240 g (0.53 lb)
GV-Mount901	GV-VD Series Dome Housing		Dimensions: $\varnothing$ 186 x 97.5 mm ( $\varnothing$ 7.3" x 3.8") Weight: 600 g (1.32 lb)
GV-Mount909	Wall Mount Bracket		Dimensions: 170 x 150 x 110 mm (6.7" x 5.9" x 4.3") Weight: 610 g (1.34 lb)
GV-PA191	Power over Ethernet (PoE) Adapter		The GV-PA191 is a Power over Ethernet (PoE) adapter designed to provide power to the IP device through a single Ethernet cable.
GV-Relay V2	GV-Relay V2		The GV-Relay V2 is designed to expand the voltage load of GV IP devices. It provides 4 relay outputs, and each can be set as normally open (NO) or normally closed (NC) independently as per your requirement.
Power Adapter	Power adapters are available in 6 regions: Argentina, Australia, Brazil, Europe, U.K and U.S. *This item does not include a power cord.		
GV-POE Switch	The GV-POE Switch is designed to provide power along with network connection for IP devices. The GV-POE Switch is available in various models with different numbers and types of ports.		