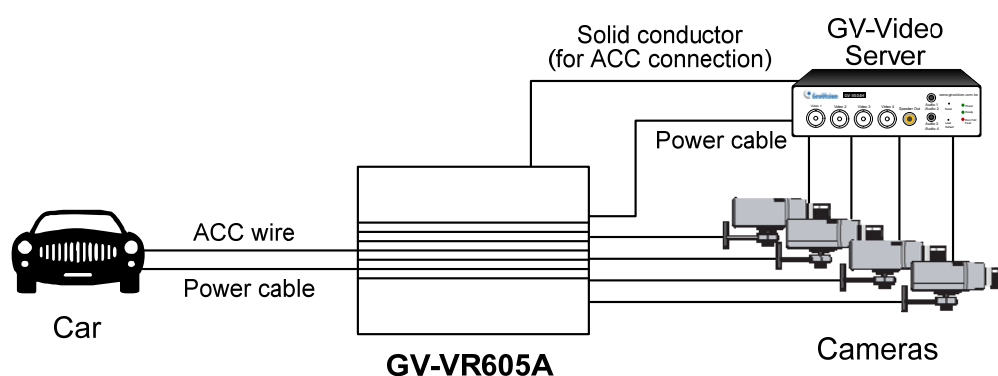


## GV-VR605A DC Voltage Regulator

The GV-VR605A is a voltage regulator designed to be installed in the car and supply power to GV-Video Server and its connected cameras. The GV-VR605A is capable of maintaining a 12V voltage to the GV-Video Server and its connected cameras, providing protection against voltage spikes when you turn on the car ignition. After you turn off the car ignition, the GV-VR605A will continue supplying power to the GV-Video Server for 75 seconds during which GV-Video Server will stop recording, remove the hard drive from the system and then turn off automatically. The GV-VR605A features 5 power outputs to power the GV-Video Server and its connected cameras.



### Packing List

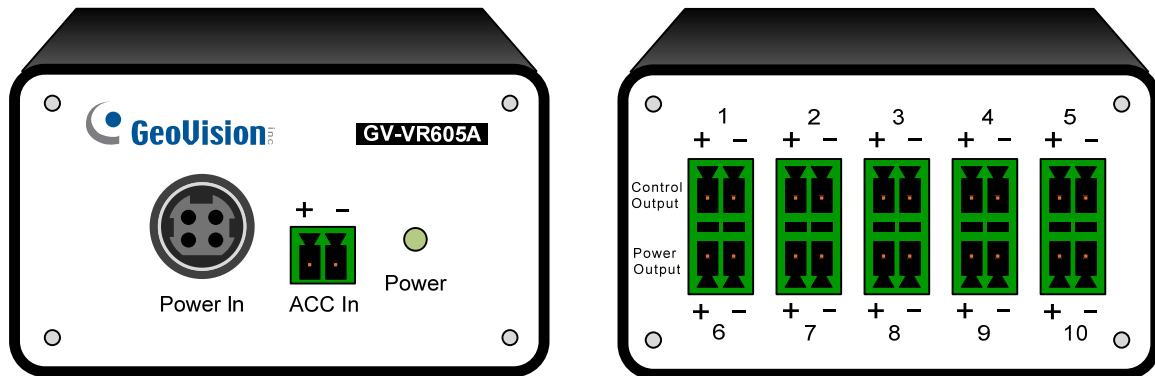
1. GV-VR605A Automotive Voltage Regulator x 1
2. Mini-DIN 4P Power Cable x 1
3. Terminal Block x 11

### Applied to

GV-Video Server	Firmware Version
GV-VS04A	V1.05 or later
GV-VS04H	V1.05 or later
GV-VS11	V1.00 or later
GV-VS12	V1.05 or later
GV-VS14	V1.00 or later

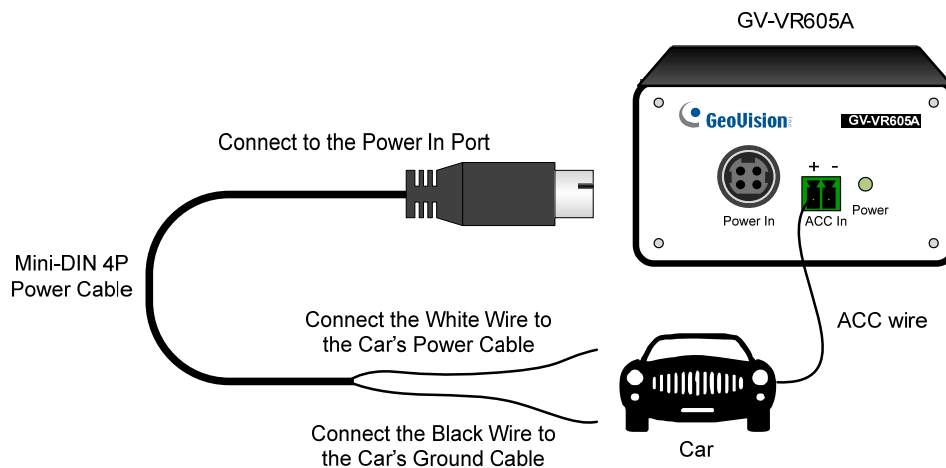
**Note:** If you want to use a hard disk to store data, it is required to use the hard disk especially for notebook, vehicle or surveillance applications, and tightly fasten the hard disk and GV-Video Server on the vehicle to prevent vibration and shock hazard.

## Overview



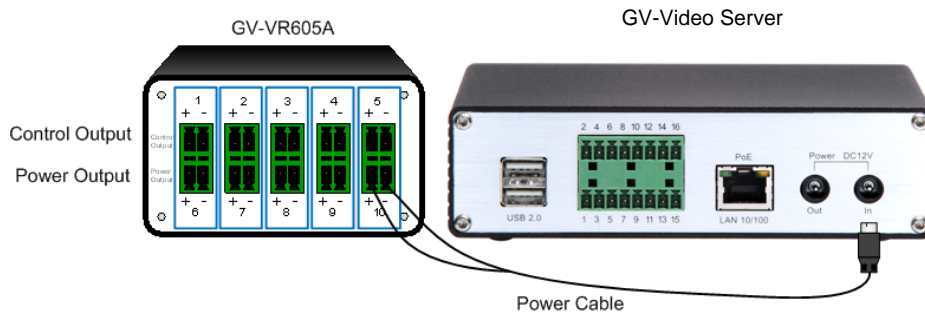
## Connections

For the following installation, you need to identify the car's power cable, ground cable and ACC wire. Since each car differs in design, refer to the owner's manual of your car for details or have the installation done by a properly trained technician.



1. Pull out the car's power cable and ground cable under the steering wheel.
2. Connect the car's power cable with the white wire of the supplied **Mini-DIN 4P Power Cable** and the car's ground cable with the black wire.
3. Connect the supplied **Mini-DIN 4P Power Cable** to the **Power In** port on the GV-VR605A.
4. Pull out the car's ACC wire and then connect the ACC wire to the **ACC In (+)** pin on the GV-VR605A.

- Connect the power cable from the **Power In** port on the GV-Video Server to the **Power Output** port on the GV-VR605A.

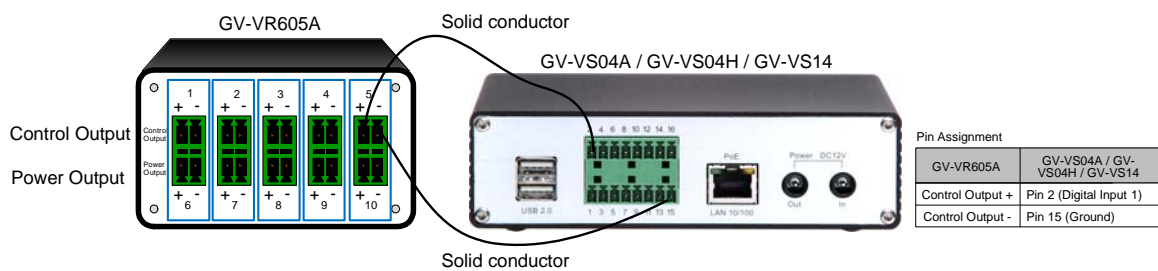


**Note:** The power cable is not supplied in the package. You will have to prepare the power cable for the connection between the GV-VR605A and the GV-Video Server.

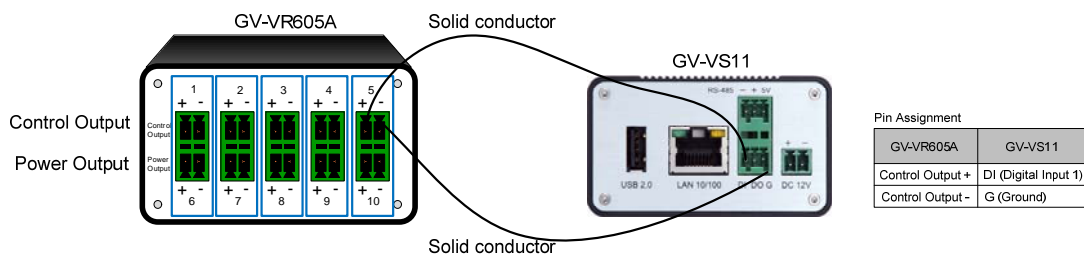
- Connect one solid conductor (20 AWG) from the **Digital Input 1** pin on the GV-Video Server to the **Control Output (+)** pin on the GV-VR605A; and the other solid conductor from the **Ground** pin on the GV-Video Server to the **Control Output (-)** pin on the GV-VR605A.

**Note:** The solid conductors are not supplied in the package. You will have to prepare the solid conductors for the connection between the GV-VR605A and the GV-Video Server.

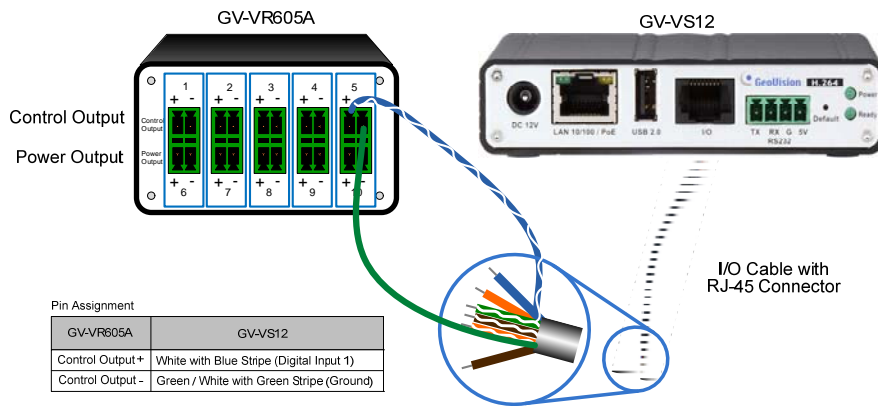
### GV-VS04A / GV-VS04H / GV-VS14:



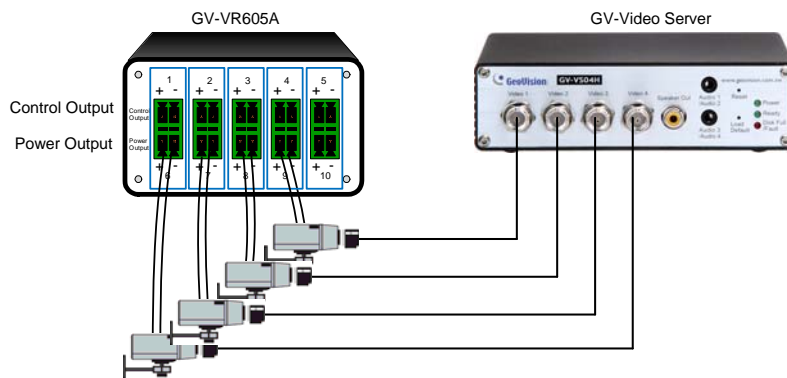
### GV-VS11:



### GV-VS12:



7. Connect the power cables from the **Power Output** ports to the cameras connected with the GV-Video Server.



**Note:** The power cables are not supplied in the package. You will have to prepare the power cables for the connection between the GV-VR605A and the cameras.

- To enable ACC function, on the Web interface of GV-Video Server, click **Monitoring** from the left menu, enable **Stop monitoring by** and select **Input 1**. Enable **ACC signal** and then click **Start**.

### Monitoring Settings

In this section you can set up, and start/stop monitoring in manual or scheduled mode.

**Monitoring Settings**

Manual

Select all

Camera 1 Round the clock ▾

Camera 2 Round the clock ▾

Camera 3 Round the clock ▾


Camera 4 Round the clock ▾


I/O Monitor


Schedule


Start monitoring by Input1 ▾

Stop monitoring by Input1 ▾  Remove HDD  ACC signal

Camera 1 

Camera 2 

Camera 3 

Camera 4 

- When you turn on the car ignition, the power of the GV-VR605A turns on and the Power LED on the front panel of the GV-VR605A turns green.

## Specifications

<b>Power Input</b>	10 V ~ 36 V DC
<b>Power Output</b>	12 V, 5 A (60W Max.) / 12 V, 1 A (per port)
<b>Operation Temperature</b>	-10 °C ~ 50 °C / 14 °F ~ 122 °F
<b>Dimensions (L x W x H)</b>	66 x 69 x 40 mm / 2.6 x 2.72 x 1.57 in
<b>Weight</b>	210 g / 0.46 lb